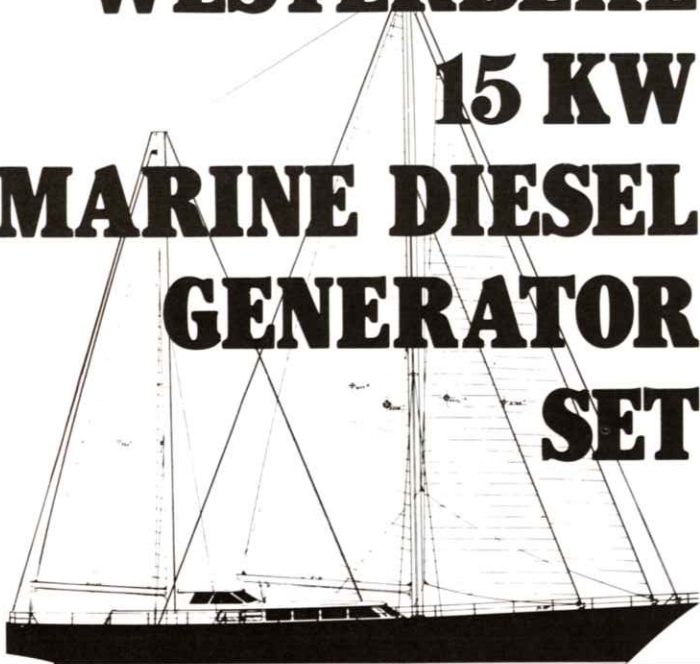


# WESTERBEKE 15 KW MARINE DIESEL GENERATOR SET

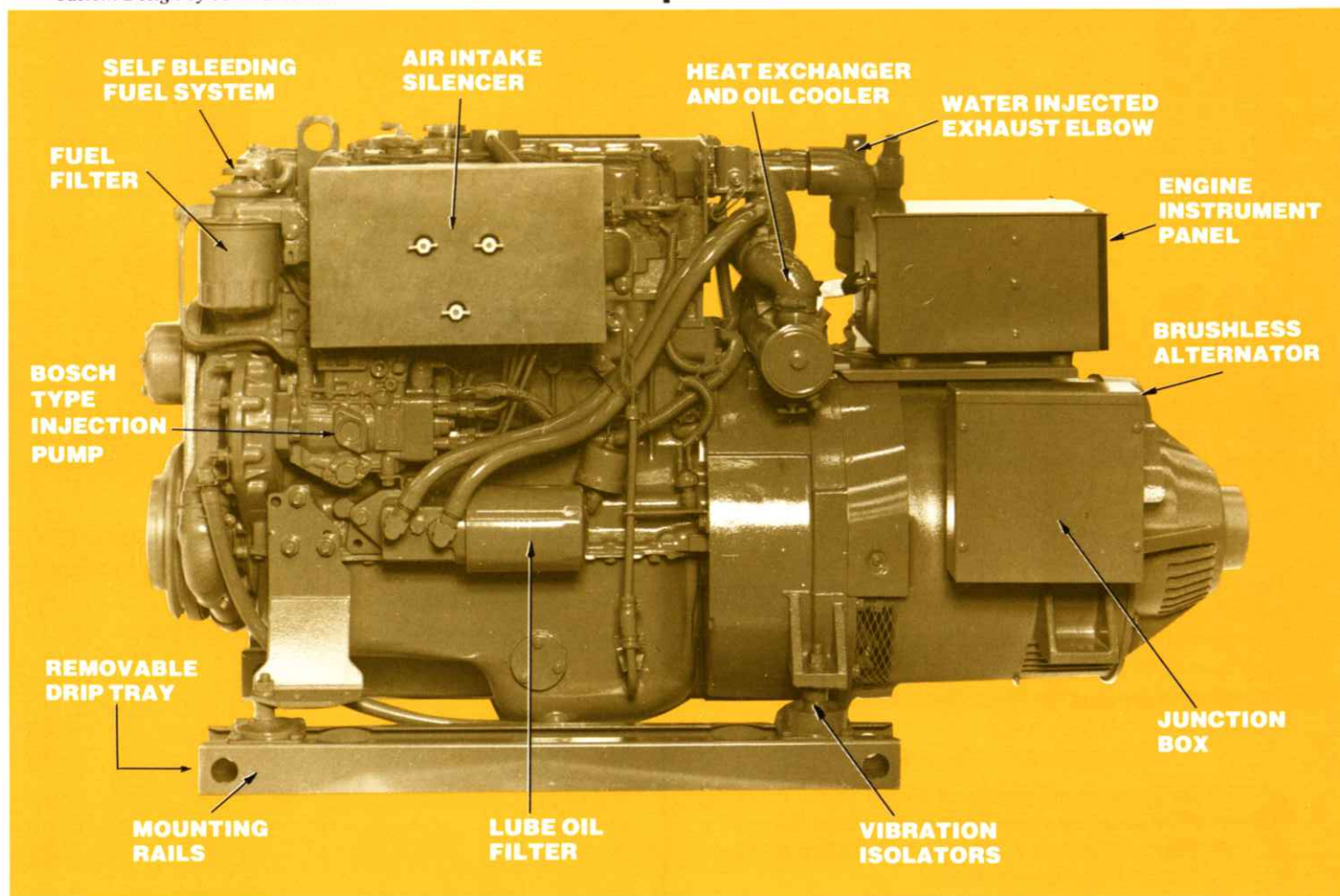


Custom Design by John G. Alden

A small, reliable, smooth running Generator Set for all your shipboard needs; 120 volt electrical power at the turn of a switch for: Electric Cooking, Microwave Oven, Refrigeration, Cabin Appliances, Power Tools, and Navigation/Communication Equipment. Like all Westerbeke Generator Sets, it is fresh water cooled with an Engine mounted Heat Exchanger. The Engine and Generator are connected through special "Commonized" Drive Discs, Flywheel and Flywheel Housing into a compact, carefully aligned Generator Set. The complete unit is mounted on lightweight rails through soft flexible Isolator Mounts that prevent the transfer of vibration. A lightweight removable Drip Tray is fitted under the unit between the mounting rails. The Engine is fitted with a Bosch Type Pump and Self Bleeding Fuel System that reduces hand priming and bleeding. Cast iron cylinder head and block plus swirl type combustion chamber plus tuned air intake silencer produce quiet running unmatched in the industry.

The Westerbeke 15 is lightweight, safe, dependable, durable, and economical to operate. Designed to operate at a quiet 1800 RPM, the Westerbeke 15 offers 4 cylinder, 4 cycle smoothness to provide electrical conveniences usually found only on larger boats.

**FOR POWER OR SAILBOAT ... A NEW SERIES OF DIESEL GENERATOR SETS FROM WESTERBEKE.**



**GENERATORS: 4.4, 7.7, 11.0, 12.5, 15, 20, 30, 45**

*Fresh Water Cooled Diesel Generators from Westerbeke.*

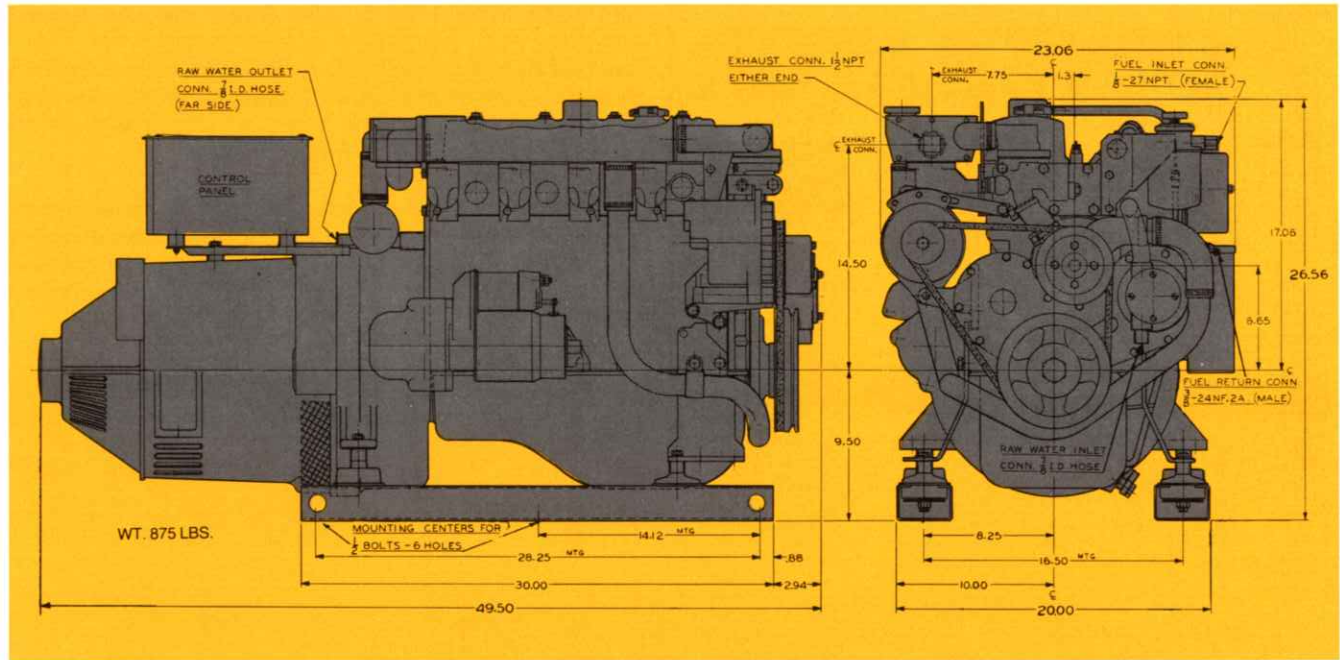


# WESTERBEKE 15 KW MARINE DIESEL GENERATOR

## RECONNECTIBLE BRUSHLESS ALTERNATORS

**WESTERBEKE 15 KW**

Model	ELECTRICAL CHARACTERISTICS					RATINGS		ENGINE	
	Volts	Amps	Hertz	Phase	Wire	1 Hour Rating	Continuous Rating	RPM	Start
WTA-15-614	120/240	125/62.5	60	1	4	15 kw	12.5 kw	1800	Remote
WTA-15-634	240	45	60	3	4	15 kw .8 PF	12.5 kw .8 PF	1800	Remote
WTA-12-514	120/240	100/50	50	1	4	12 kw	9.6 kw	1500	Remote
WTA-12-534	240	36	50	3	4	12 kw .8 PF	9.6 kw .8 PF	1500	Remote



### ENGINE

Engine Type . . . 4 cycle, 4 cylinders, water cooled diesel  
 Displacement . . . . . 134.8 C.I.D.  
 Compression Ratio . . . . . 21:1  
 Combustion Chamber . . . . . Swirl Type  
 Injection Pump . . . . . Bosch Type  
 Hand Primer . . . . . Mounted on top of fuel filter  
 Governor . . Mechanical, built in pump, yields frequency regulation of  $\pm 2\%$   
 Power Available . . . . . 30 HP @ 1800 RPM

### ALTERNATOR

Type . . . . . Rotating field  
 Insulation . . . . . Class F  
 One-piece housing assures perfect alignment.  
 High flow centrifugal fan assures ample cooling air.  
 Solid state regulator, moisture proof, controls voltage to  $\pm 2\%$ .

### STANDARD EQUIPMENT

12 Volt 55 Ampere Alternator • Fresh Water Cooling System • Coolant Recovery Tank • Air Intake Silencer • 12 Volt Starting Motor • Vibration Isolators • Water Injected Elbow • Operators Manual



STANDARD MOUNTED PANEL



OPTIONAL "SOUND GUARD" SOUND ENCLOSURE

### OPTIONAL EQUIPMENT

Hydro Hush Silencer • Remote Instrument Panel • 15' Cable for Remote Panel • "Sound Guard" • Ship to Shore Transfer Switch

Contact your Westerbeke Representative



or Contact the . . .

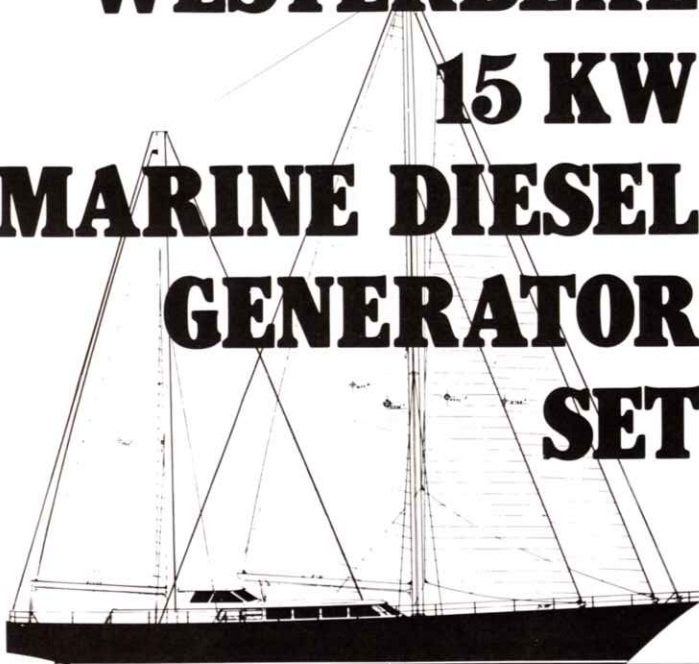


## J. H. WESTERBEKE CORP.

Avon Industrial Park, Avon, MA 02322-0181, (617) 588-7700  
 Cable: Westcorp, Avon, Telex: 92-4444



# WESTERBEKE 15 KW MARINE DIESEL GENERATOR SET

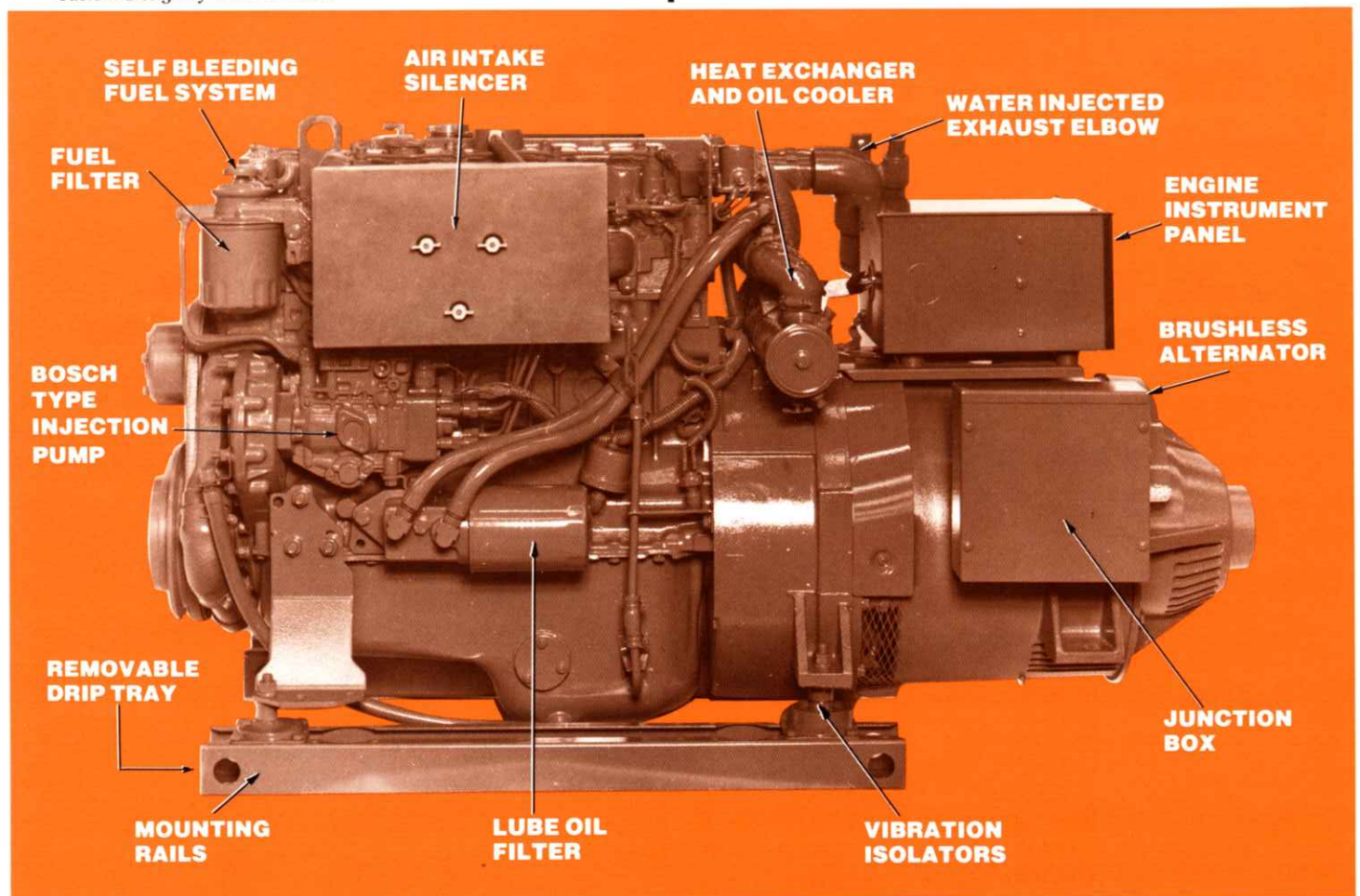


Custom Design by John G. Alden

A small, reliable, smooth running Generator Set for all your shipboard needs; 120 volt electrical power at the turn of a switch for: Electric Cooking, Microwave Oven, Refrigeration, Cabin Appliances, Power Tools, and Navigation/Communication Equipment. Like all Westerbeke Generator Sets, it is fresh water cooled with an Engine mounted Heat Exchanger. The Engine and Generator are connected through special "Commonized" Drive Discs, Flywheel and Flywheel Housing into a compact, carefully aligned Generator Set. The complete unit is mounted on lightweight rails through soft flexible Isolator Mounts that prevent the transfer of vibration. A lightweight removable Drip Tray is fitted under the unit between the mounting rails. The Engine is fitted with a Bosch Type Pump and Self Bleeding Fuel System that reduces hand priming and bleeding. Cast iron cylinder head and block plus swirl type combustion chamber plus tuned air intake silencer produce quiet running unmatched in the industry.

The Westerbeke 15 is lightweight, safe, dependable, durable, and economical to operate. Designed to operate at a quiet 1800 RPM, the Westerbeke 15 offers 4 cylinder, 4 cycle smoothness to provide electrical conveniences usually found only on larger boats.

**FOR POWER OR SAILBOAT ... A NEW SERIES OF DIESEL GENERATOR SETS FROM WESTERBEKE.**



# W

**GENERATORS: 4.4, 7.7, 11.0, 12.5, 15, 20, 30, 45**

*Fresh Water Cooled Diesel Generators from Westerbeke.*

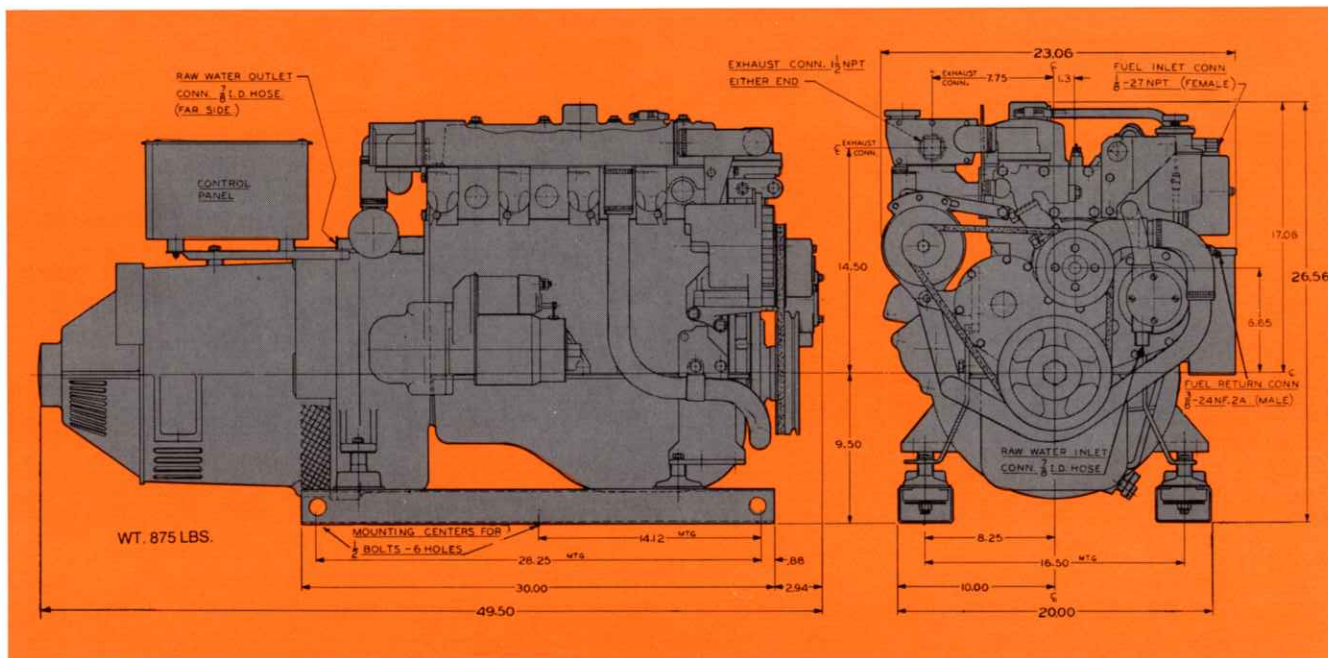


# WESTERBEKE 15 KW MARINE DIESEL GENERATOR

## RECONNECTABLE BRUSHLESS ALTERNATORS

**WESTERBEKE 15 KW**

Model	ELECTRICAL CHARACTERISTICS					RATINGS		ENGINE	
	Volts	Amps	Hertz	Phase	Wire	1 Hour Rating	Continuous Rating	RPM	Start
WTA-15-614	120/240	125/62.5	60	1	4	15 kw	12.5 kw	1800	Remote
WTA-15-634	240	45	60	3	4	15 kw .8 PF	12.5 kw .8 PF	1800	Remote
WTA-12-514	120/240	100/50	50	1	4	12 kw	9.6 kw	1500	Remote
WTA-12-534	240	36	50	3	4	12 kw .8 PF	9.6 kw .8 PF	1500	Remote



### ENGINE

Engine Type . . . 4 cycle, 4 cylinders, water cooled diesel  
 Displacement . . . 134.8 C.I.D.  
 Compression Ratio . . . 21:1  
 Combustion Chamber . . . Swirl Type  
 Injection Pump . . . Bosch Type  
 Hand Primer . . . Mounted on top of fuel filter  
 Governor . . . Mechanical, built in pump, yields frequency regulation of  $\pm 2\%$   
 Power Available . . . 30 HP @ 1800 RPM

### ALTERNATOR

Type . . . Rotating field  
 Insulation . . . Class F  
 One-piece housing assures perfect alignment.  
 High flow centrifugal fan assures ample cooling air.  
 Solid state regulator, moisture proof, controls voltage to  $\pm 2\%$ .

### STANDARD EQUIPMENT

12 Volt 55 Ampere Alternator • Fresh Water Cooling System • Coolant Recovery Tank • Air Intake Silencer • 12 Volt Starting Motor • Vibration Isolators • Water Injected Elbow • Operators Manual • Hi-Temp Lo Pressure Safety Sheet Down • Hi Water Temp. and Lo Oil Pressure



STANDARD MOUNTED PANEL



OPTIONAL "SOUND GUARD" SOUND ENCLOSURE

### OPTIONAL EQUIPMENT

Hydro Hush Silencer • Remote Instrument Panel • 15' Cable for Remote Panel • "Sound Guard" • Ship to Shore Transfer Switch

Contact your Westerbeke Representative



or Contact the . . .

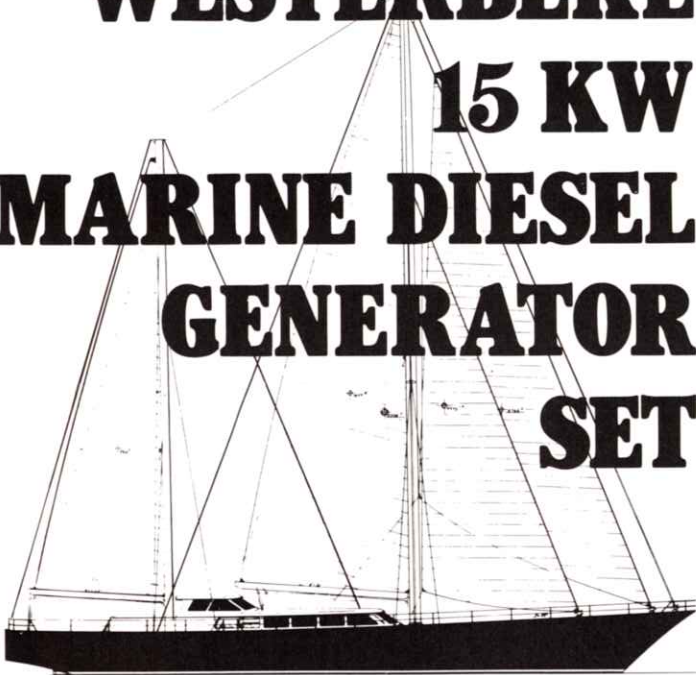


## J. H. WESTERBEKE CORP.

Avon Industrial Park, Avon, MA 02322, (617) 588-7700  
 Cable: Westcorp, Avon, Telex: 92-4444



# WESTERBEKE 15 KW MARINE DIESEL GENERATOR SET

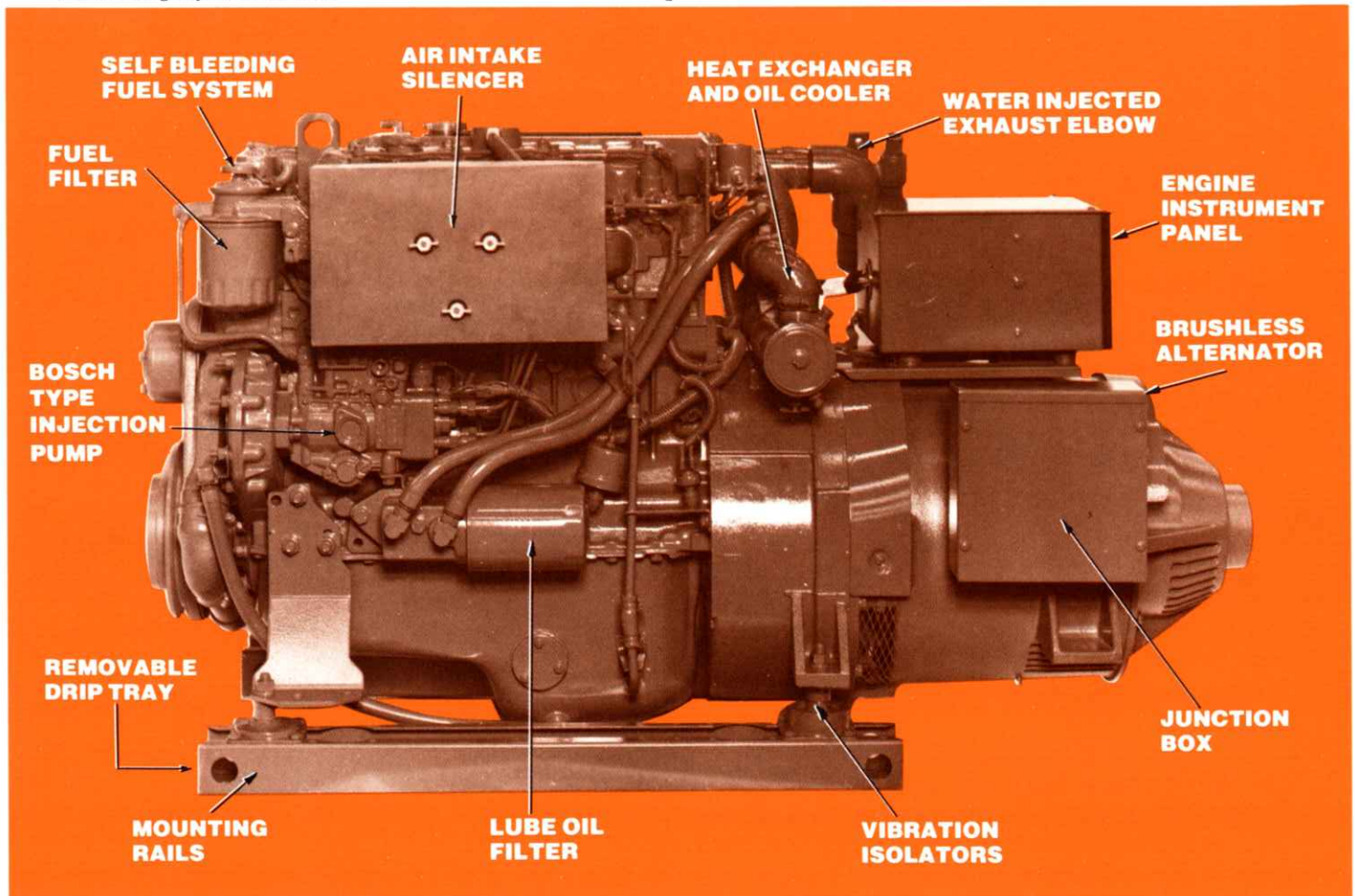


Custom Design by John G. Alden

A small, reliable, smooth running Generator Set for all your shipboard needs; 120 volt electrical power at the turn of a switch for: Electric Cooking, Microwave Oven, Refrigeration, Cabin Appliances, Power Tools, and Navigation/Communication Equipment. Like all Westerbeke Generator Sets, it is fresh water cooled with an Engine mounted Heat Exchanger. The Engine and Generator are connected through special "Commonized" Drive Discs, Flywheel and Flywheel Housing into a compact, carefully aligned Generator Set. The complete unit is mounted on lightweight rails through soft flexible Isolator Mounts that prevent the transfer of vibration. A lightweight removable Drip Tray is fitted under the unit between the mounting rails. The Engine is fitted with a Bosch Type Pump and Self Bleeding Fuel System that reduces hand priming and bleeding. Cast iron cylinder head and block plus swirl type combustion chamber plus tuned air intake silencer produce quiet running unmatched in the industry.

The Westerbeke 15 is lightweight, safe, dependable, durable, and economical to operate. Designed to operate at a quiet 1800 RPM, the Westerbeke 15 offers 4 cylinder, 4 cycle smoothness to provide electrical conveniences usually found only on larger boats.

**FOR POWER OR SAILBOAT ... A NEW SERIES OF DIESEL GENERATOR SETS FROM WESTERBEKE.**



**GENERATORS: 4.4, 7.7, 11.0, 12.5, 15, 20, 30, 45**

*Fresh Water Cooled Diesel Generators from Westerbeke.*

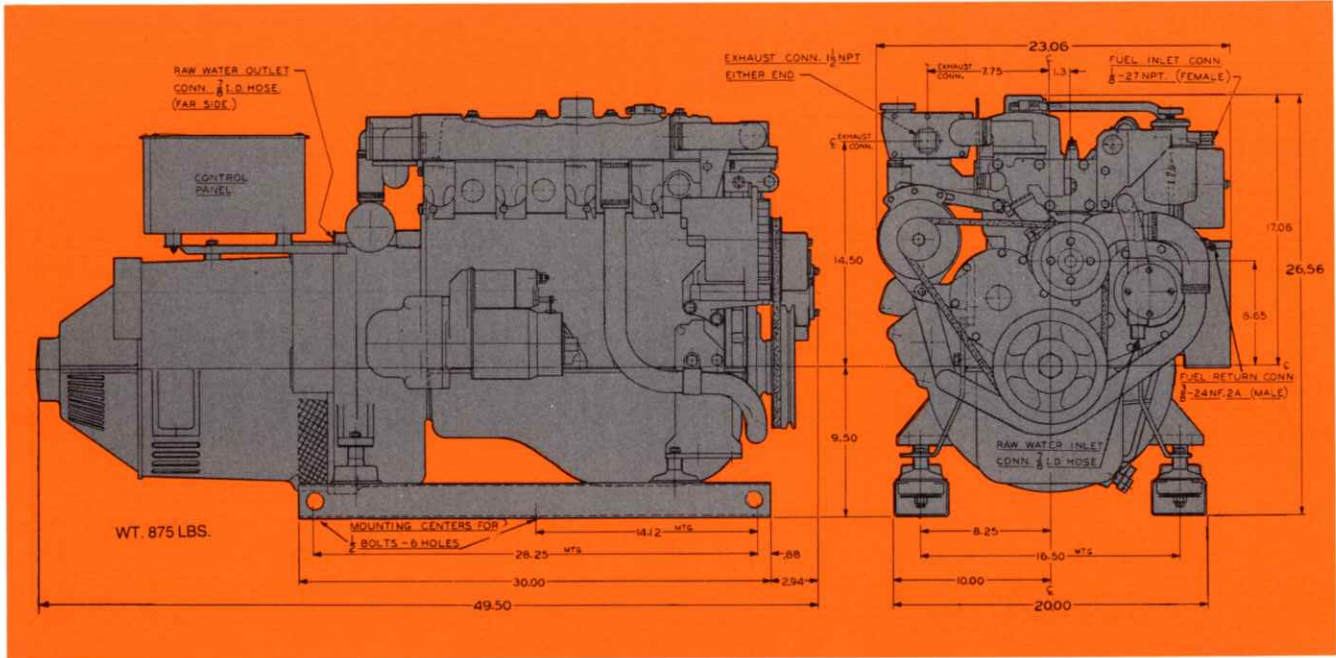


# WESTERBEKE 15 KW MARINE DIESEL GENERATOR

## RECONNECTIBLE BRUSHLESS ALTERNATORS

**WESTERBEKE 15 KW**

Model	ELECTRICAL CHARACTERISTICS					RATINGS		ENGINE	
	Volts	Amps	Hertz	Phase	Wire	1 Hour Rating	Continuous Rating	RPM	Start
WTA-15-614	120/240	125/62.5	60	1	4	15 kw	12.5 kw	1800	Remote
WTA-15-634	240	45	60	3	4	15 kw .8 PF	12.5 kw .8 PF	1800	Remote
WTA-12-514	120/240	100/50	50	1	4	12 kw	9.6 kw	1500	Remote
WTA-12-534	240	36	50	3	4	12 kw .8 PF	9.6 kw .8 PF	1500	Remote



### ENGINE

Engine Type . . . 4 cycle, 4 cylinders, water cooled diesel  
 Displacement . . . . . 134.8 C.I.D.  
 Compression Ratio . . . . . 21:1  
 Combustion Chamber . . . . . Swirl Type  
 Injection Pump . . . . . Bosch Type  
 Hand Primer . . . . . Mounted on top of fuel filter  
 Governor . . Mechanical, built in pump, yields frequency regulation of  $\pm 2\%$   
 Power Available . . . . . 30 HP @ 1800 RPM

### ALTERNATOR

Type . . . . . Rotating field  
 Insulation . . . . . Class F  
 One-piece housing assures perfect alignment.  
 High flow centrifugal fan assures ample cooling air.  
 Solid state regulator, moisture proof, controls voltage to  $\pm 2\%$ .

### STANDARD EQUIPMENT

12 Volt 55 Ampere Alternator • Fresh Water Cooling System • Coolant Recovery Tank • Air Intake Silencer • 12 Volt Starting Motor • Vibration Isolators • Water Injected Elbow • Operators Manual



STANDARD MOUNTED PANEL



OPTIONAL "SOUND GUARD" SOUND ENCLOSURE

### OPTIONAL EQUIPMENT

Hydro Hush Silencer • Remote Instrument Panel • 15' Cable for Remote Panel • "Sound Guard" • Ship to Shore Transfer Switch

Contact your Westerbeke Representative



or Contact the . . .



## J. H. WESTERBEKE CORP.